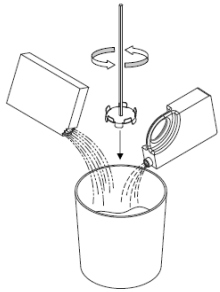
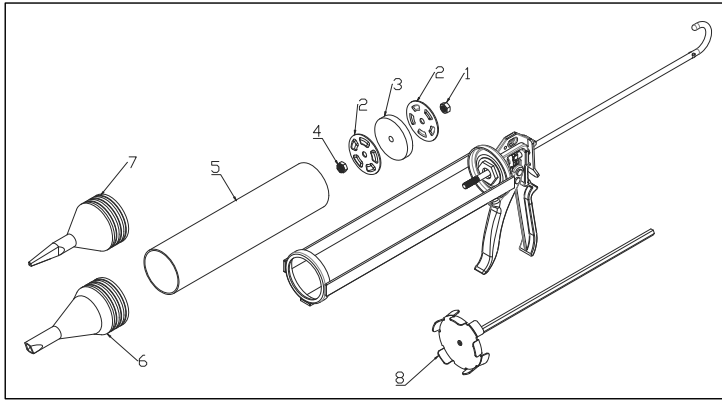


INSTRUCTION MANUAL
ITEM NO. WT-256JPG

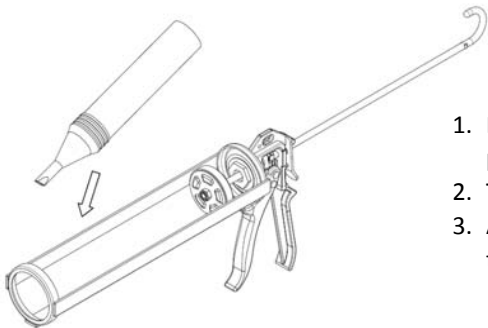
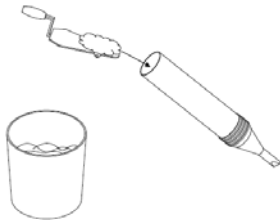


Mixing :

For 5 minutes according to recommendations.
Do not use sharp sand or gravels.

Filling :

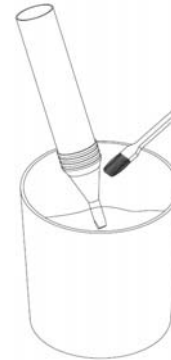
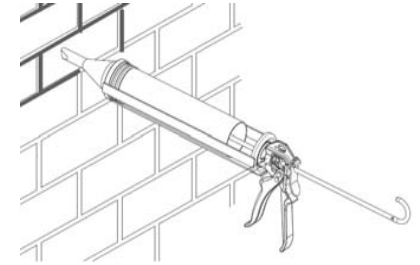
Filling the mixed material into barrel.



1. Push the release plate and pull the plunger rod backward.
2. Take out the barrel for filling.
3. After filling, place the barrel back into the carriage frame.

Application:

Apply pressure steady and evenly to the trigger into joints same principal as regular caulking gun.



Cleaning:

Wash the barrel and gun immediately by using clean fresh water after application.

Plunger Adjustment :

Using the locking nuts for tightening and loosening. Tightening the locking nuts will squeeze the rubber, this will tighten the fit in the barrel. If the plunger is difficult to move, it may be over tightened, loosen the nuts accordingly to give a better fit.

